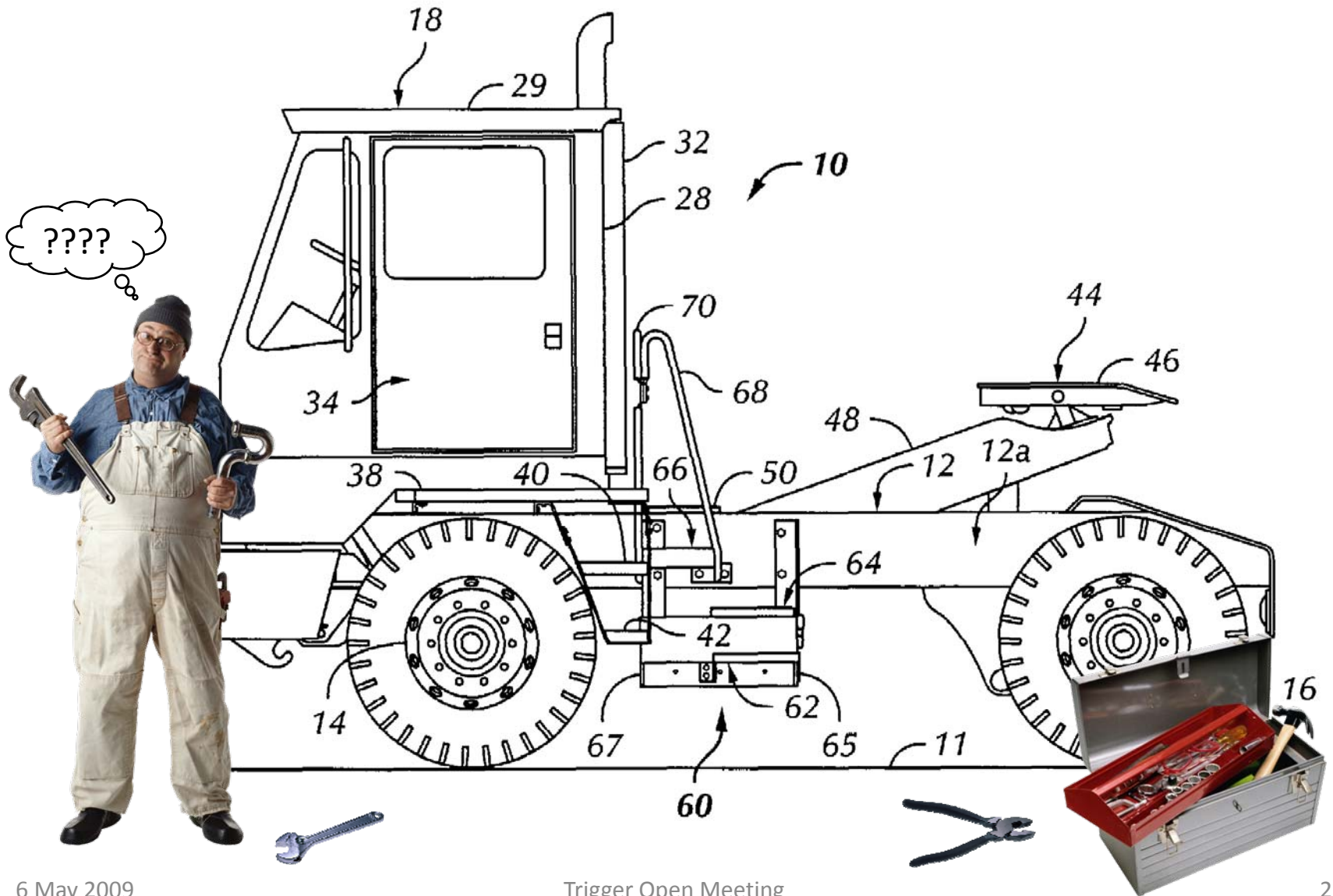


Releases and Validation Status

David Strom (Oregon), Simon George (RHUL), Ricardo Gonalo (RHUL)

Releases



Release news

- Stefania Xella is the current trigger release coordinator for 15.X.0

Release schedule:

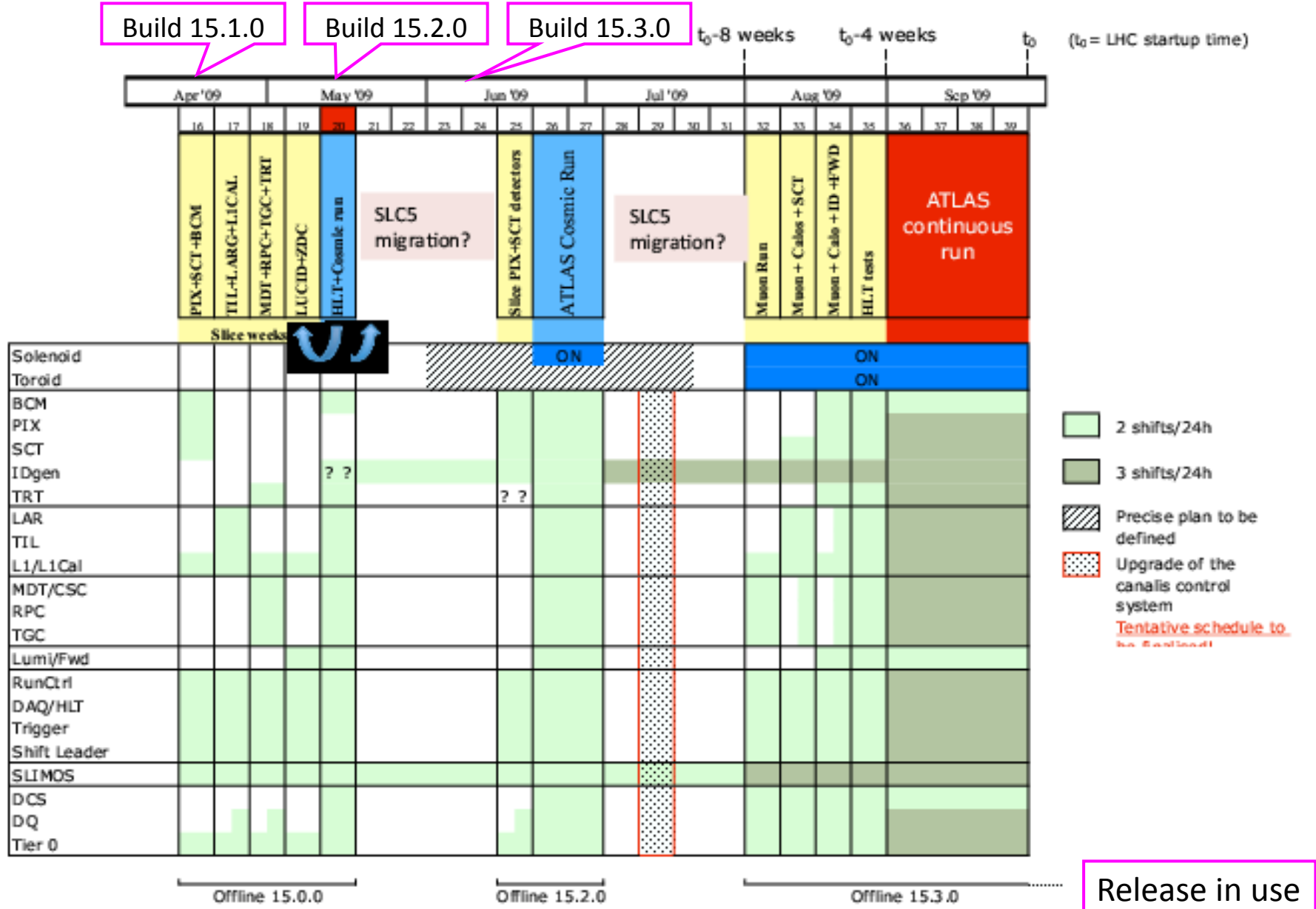
- **15.1.0** target 15th April – tag submission deadline 9 Apr at 21:00
 - Main emphasis is **Simulation Production** validation
 - Came out on 24th April with **TGC cabling** problem affecting L2 muFast – counts reduced significantly
 - Should be fixed in 15.1.0.1 prod cache
- **15.2.0** target 20 May – tag submission deadline 13 May at 21:00
 - One week later than previously announced, for LCG 56a and T/DAQ rebuild
 - Main emphasis is **slice weeks** & **combined cosmics** in late June and **MC09** initial production
- **15.3.0** target 10 June – tag submission deadline 4 Jun at 21:00
 - Baseline release for ATLAS commissioning and first beams - **deadline unchanged**

Other Issues

- **Documentation stand** down 25-29 May:
 - Coordinated for the trigger software by Dmitry Emeliyanov
- **CVS to SVN move** 25-29 May:
 - <https://twiki.cern.ch/twiki/bin/view/Atlas/SoftwareDevelopmentWorkBookSVN>
 - <https://twiki.cern.ch/twiki/bin/view/Atlas/AtlasSVNMigration>
- Migration to **gcc43** and **SLC5** – see below
- **Deliverables** will be handled in the coordination meeting today
 - https://twiki.cern.ch/twiki/bin/view/Atlas/TriggerWorkPlanRel15#Top_Level_Deliverables
 - B1 deliverables are due for 15.2.0 – deadline for tags is 13th May.

Run Coordination Schedule

March 25, 2009



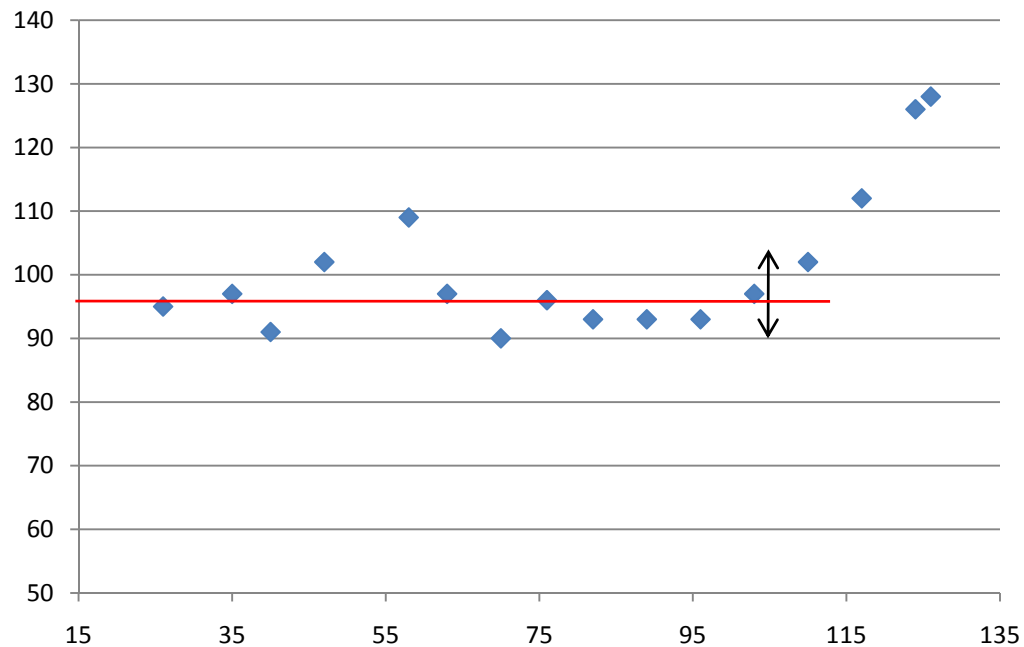
Validation



The past week

- Nightlies last week not so good!!!
- Last good nightlies for testing seem to be rel_6 devval and today's rel_3 devval
- Current problems/issues (see next slide) – more detailed status in 15.X.0 recipes page: <https://twiki.cern.ch/twiki/bin/view/Atlas/TriggerRecipe15x0only>

Open bugs vs days since 1st January 09



1-sigma interval up to 20th April

Current Issues

- Essential to have good coverage of validation shifts
 - Important for release coordination to have
 - Slice convenors kindly requested to help promote this
 - Validation looking at gcc34 and slc4 :
 - 15.X.0 and 15.X.0-VAL in the run up to 15.2.0
 - 15.0.X.Y-P1HLT for online use in slice weeks
- David Strom organizing validation for gcc43 and slc5 platforms
 - Trying to employ people in the US time zone since task is not time critical
 - People in the CERN time zone needed to do validation shifts for main platform
- Open tasks
 - Migration to gcc43/slc5 - Mary Robinson, David Strom, Nick Sinev and Luz Fajardo so far
 - Validation of EDM and DPDs – being covered by Fabrizio Salvatore, but some more work may be available
 - Validation of Atlfast II trigger simulation